

MAKE: HOLDEN

TYPE: Drover

MODEL: QB

YEAR: 1985 – 1987

DETAIL: 1.0L, Sierra SJ413,
Jimny, Samurai

HOLD-52



FRONT		TYPE	QTY	PART NUMBER
<p>LEAF SPRING Type 'A'</p> <p>5 Leaves Raised Height (40mm Lift) No Accessories</p>		A	2	SUZ-5L-F
<p>SHACKLE BUSH KIT Rubber Polyurethane Metal</p> <p>Kit Contains: 2 x SPF176 8 x SPF173</p>		B	1	PB57-1034K
<p>U-BOLT KIT</p> <p>Right Hand Side Left Hand Side</p> <p>Kit Contains: 2 x UB57-655 2 x UB29-900</p>		A A	1 1	UB57-655K UB29-900K
<p>SHOCK ABSORBER</p> <p>Heavy Duty Gas</p>		B	2	GS57-085
<p>STEERING DAMPER Type 'A'</p> <p>Heavy Duty Complete with Fittings</p>		A	1	SD57-030
<p>SHACKLE KIT</p> <p>Fit in Pairs</p>		A	2	SK57-041
<p>PIN KIT</p> <p>Fit in Pairs</p>		B	2	SP57-042

REAR		TYPE	QTY	PART NUMBER
<p>LEAF SPRING Type 'B'</p> <p>4 + 1 Leaves Raised Height (40mm Lift) No Accessories</p>		B B	1 1	SUZ-4+1-R RH SUZ-4+1-R LH
<p>SHACKLE BUSH KIT Rubber Polyurethane Metal</p> <p>Kit Contains: 2 x SPF176 8 x SPF173</p>		B	1	PB57-1034K
<p>U-BOLT KIT</p> <p>Kit Contains: 2 x UB57-655</p>		A	2	UB57-655K
<p>SHOCK ABSORBER</p> <p>Heavy Duty Gas</p>		A	2	GS57-086
<p>SHACKLE KIT</p> <p>Fit in Pairs</p>		A	2	SK57-041
<p>PIN KIT</p> <p>Fit in Pairs</p>		B	2	SP57-042



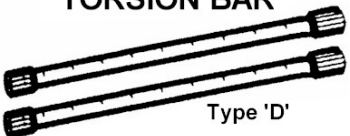

MAKE: ISUZU-HOLDEN **TYPE:** Rodeo




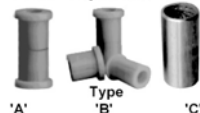

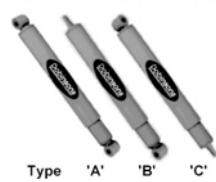
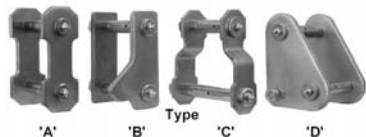
MODEL: TFS-55 (Inc. V6) **YEAR:** 08/1988 – 2003

DETAIL: Pickup, Opel/Vauxhall Campo,
Brava, Isuzu KB320 (Africa)

HOLD-54



 FRONT 	TYPE	QTY	PART NUMBER
<p>TORSION BAR</p>  <p>Type 'D'</p> <p>Heavy Duty Rate Increased Length 1000mm</p>	D	2	TB21-1547 (Pair)
<p>SHOCK ABSORBER</p>  <p>Type 'A' 'B' 'C'</p> <p>Heavy Duty Gas</p>	B	2	GS21-463

 REAR 	TYPE	QTY	PART NUMBER
<p>LEAF SPRING</p>  <p>Type 'B'</p> <p>4 + 2 Leaves Raised Height (35mm Lift) 200Kg Load to GVM</p>	B	2	RODE-008-R
<p>SHACKLE BUSH KIT</p> <p>Rubber Polyurethane Metal</p>  <p>'A' Type 'B' 'C'</p> <p>Kit Contains: 2 x SPF972 8 x SPF2231</p>	B	1	PB59-1069K
<p>U-BOLT KIT</p>  <p>Type 'A' 'B' 'C'</p> <p>Kit Contains: 2 x UB59-453-3</p>	A	2	UB59-453-3K
<p>SHOCK ABSORBER</p>  <p>Type 'A' 'B' 'C'</p> <p>Heavy Duty Gas</p>	A	2	GS43-081B
<p>SHACKLE KIT</p>  <p>'A' 'B' Type 'C' 'D'</p> <p>Greasable Fit in Pairs</p>	A	2	SK59-009

MAKE: ISUZU-HOLDEN **TYPE:** Rodeo RA

MODEL: TFS-77 **YEAR:** 2003 on

DETAIL: Pickup, Isuzu KB, D-Max
2.4L, 3.5L V6, 3.0L Tdi, 2.5L Tdi (D-Max)





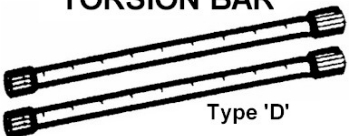

HOLD-59




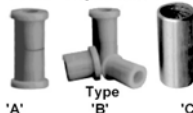

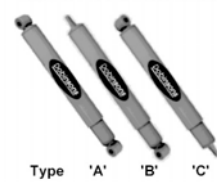
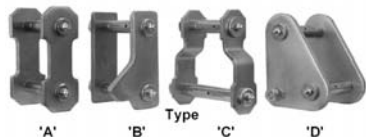
FRONT	TYPE	QTY	PART NUMBER
<p>TORSION BAR</p> <p>Type 'D'</p> <p>Heavy Duty Rate Increased Check Length Before Ordering Length 1145mm</p>	D	2	TB21-1550 (Pair)
<p>SHOCK ABSORBER</p> <p>Type 'A' 'B' 'C'</p> <p>Heavy Duty Gas</p>	B	2	GS21-463

REAR	TYPE	QTY	PART NUMBER
<p>LEAF SPRING</p> <p>Type 'B'</p> <p>4+2 leaves Raised Height (35mm Lift) Softer Option 200Kg Reduced Carrying Capacity</p>	B	2	RODE-011-R
<p>4+3 leaves Raised Height (35mm Lift)</p>	B	2	RODE-012-R
<p>5+3 leaves Raised Height (45mm Lift) 150Kg Load to GVM</p>	B	2	RODE-013-R
<p>SHACKLE BUSH KIT</p> <p>Rubber Polyurethane Metal</p> <p>'A' Type 'B' 'C'</p> <p>Kit Contains: 2 x SPF972 8 x SPF2231</p>	B	1	PB59-1069K
<p>U-BOLT KIT</p> <p>Type 'A' 'B' 'C'</p> <p>Kit Contains: 2 x UB21-446</p>	A	2	UB21-466K
<p>SHOCK ABSORBER</p> <p>Type 'A' 'B' 'C'</p> <p>Heavy Duty Gas</p>	A	2	GS59-636
<p>SHACKLE KIT</p> <p>'A' 'B' Type 'C' 'D'</p> <p>Greasable Fit in Pairs:</p>	A	2	SK59-009

MAKE: ISUZU-HOLDEN **TYPE:** Jackaroo
MODEL: U.B.S. 13,16,52 **YEAR:** 1982 – 10/1986
DETAIL: L.W.B. Wagon, Isuzu-Trooper
 Big Horn. Up to Chassis No. 4524288 **HOLD-51**



 FRONT 	TYPE	QTY	PART NUMBER
<p>TORSION BAR</p>  <p>Type 'D'</p> <p>Heavy Duty Rate Increased Length 927mm</p>	D	2	TB39-1546 (Pair)
<p>SHOCK ABSORBER</p>  <p>Type 'A' 'B' 'C'</p> <p>Heavy Duty Gas</p>	B	2	GS45-087

 REAR 	TYPE	QTY	PART NUMBER
<p>LEAF SPRING</p>  <p>Type 'B'</p> <p>4 + 2 Leaves Raised Height (30mm Lift) Medium Load to GVM</p>	B	2	RODE-008-R
<p>SHACKLE BUSH KIT</p> <p>Rubber Polyurethane Metal</p>  <p>'A' Type 'B' 'C'</p> <p>Kit Contains: 4 x SPF2053 8 x SPF2231</p>	B	1	PB21-1047K
<p>U-BOLT KIT</p>  <p>Type 'A' 'B' 'C'</p> <p>Kit Contains: 2 x UB45-451</p>	A	2	UB45-451K
<p>SHOCK ABSORBER</p>  <p>Type 'A' 'B' 'C'</p> <p>Heavy Duty Gas</p>	A	2	GS59-636
<p>SHACKLE KIT</p>  <p>'A' 'B' Type 'C' 'D'</p> <p>Greasable Fit in Pairs</p>	A	2	SK59-009

MAKE: ISUZU-HOLDEN **TYPE:** Jackaroo





MODEL: U.B.S. 16,17,52, **YEAR:** 11/1986 – 1991
55




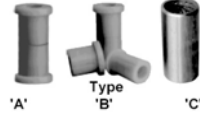

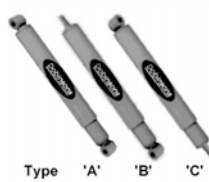
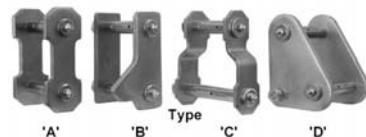
DETAIL: L.W.B. Wagon, Isuzu-Trooper

From Chassis No. 4524289

HOLD-53



 FRONT 	TYPE	QTY	PART NUMBER
<p>TORSION BAR</p>  <p>Type 'D'</p> <p>Heavy Duty Rate Increased Length 1000mm</p>	D	2	TB21-1548 (Pair)
<p>SHOCK ABSORBER</p>  <p>Type 'A' 'B' 'C'</p> <p>Heavy Duty Gas</p>	B	2	GS45-087

 REAR 	TYPE	QTY	PART NUMBER
<p>LEAF SPRING</p>  <p>Type 'B'</p> <p>4 + 2 Leaves Raised Height (30mm Lift) Medium Load to GVM</p>	B	2	RODE-008-R
<p>SHACKLE BUSH KIT</p> <p>Rubber Polyurethane Metal</p>  <p>'A' 'B' 'C'</p> <p>Kit Contains: 2 x SPF972 8 x SPF2231</p>	B	1	PB59-1069K
<p>U-BOLT KIT</p>  <p>Type 'A' 'B' 'C'</p> <p>Kit Contains: 2 x UB45-451</p>	A	2	UB45-451K
<p>SHOCK ABSORBER</p>  <p>Type 'A' 'B' 'C'</p> <p>Heavy Duty Gas</p>	B	2	GS21-637S
<p>SHACKLE KIT</p>  <p>'A' 'B' Type 'C' 'D'</p> <p>Greasable Fit in Pairs</p>	A	2	SK59-009

MAKE: ISUZU-HOLDEN **TYPE:** Jackaroo

MODEL: U.B.S. 26, 69, 73 **YEAR:** 1992 – 2000
2001 on

DETAIL: S.W.B. & L.W.B. Wagon, Isuzu-Trooper,
Opel/Vauxhall Monterey

HOLD-55



FRONT		TYPE	QTY	PART NUMBER
<p>TORSION BAR Type 'D'</p> <p>Heavy Duty Rate Increased Length 1220mm</p>		D	2	TB21-1549 (Pair)
<p>SHOCK ABSORBER Type 'A' 'B' 'C'</p> <p>Heavy Duty Gas</p>		B	2	GS21-463

REAR		TYPE	QTY	PART NUMBER
<p>COIL SPRING Type 'C'</p> <p>1992 – 2000</p> <p>Variable Rate Standard Height (10mm Lift)</p> <p>Variable Rate Raised Height (40mm Lift) Medium Load to GVM</p> <p>2001 on (MY01)</p> <p>Variable Rate Raised Height (40mm Lift)</p>			2	C21-167V (Pair)
<p>SHOCK ABSORBER Type 'A' 'B' 'C'</p> <p>Heavy Duty Gas</p>		A	2	GS21-015B

MAKE: ISUZU-HOLDEN **TYPE:** Frontera / Amigo

MODEL: UT

YEAR: 1995 - 1998

DETAIL: S.W.B. Frontera Sport Opel/Vauxhall

L.W.B. Frontera Long Opel/Vauxhall (5 Doors) **HOLD-56**



FRONT		TYPE	QTY	PART NUMBER
<p>TORSION BAR Type 'D'</p> <p>Heavy Duty Rate Increased Check Length Before Ordering Length 1000mm</p> <p>Heavy Duty Rate Increased Check Length Before Ordering Length 1220mm</p>		D	2	TB21-1547 (Pair)
		D	2	TB21-1549 (Pair)
<p>SHOCK ABSORBER Type 'A' 'B' 'C'</p> <p>Heavy Duty Gas</p>		B	2	GS21-463

REAR		TYPE	QTY	PART NUMBER
<p>COIL SPRING Type 'C'</p> <p>Variable Rate Raised Height (35mm Lift) Light Load to GVM</p>			2	C21-161V (Pair)
<p>SHOCK ABSORBER Type 'A' 'B' 'C'</p> <p>Heavy Duty Gas</p>		A	2	GS21-016

MAKE: ISUZU-HOLDEN **TYPE:** Frontera





MODEL: UES25



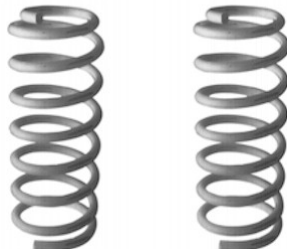

YEAR: 02/1999 on

DETAIL: SWB & LWB
3.2L V6, 2.2L TDi



HOLD-57

 FRONT 		TYPE	QTY	PART NUMBER
<p>TORSION BAR</p>  <p>Type 'D'</p> <p>Heavy Duty Rate Increased Check Length Before Ordering Length 1145mm</p>		D	2	TB21-1550 (Pair)
<p>SHOCK ABSORBER</p>  <p>Type 'A' 'B' 'C'</p> <p>Heavy Duty Gas</p>		B	2	GS21-463

 REAR 		TYPE	QTY	PART NUMBER
<p>COIL SPRING Type 'C'</p>  <p>Linear Rate Raised Height (35mm Lift) Medium Load to GVM</p>			2	C45-009 (Pair)
<p>SHOCK ABSORBER</p>  <p>Type 'A' 'B' 'C'</p> <p>Heavy Duty Gas</p>		B	2	GS43-781