



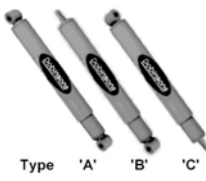


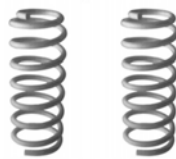
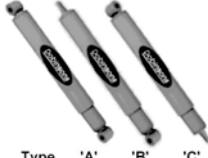


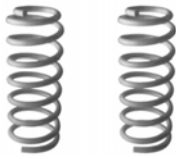



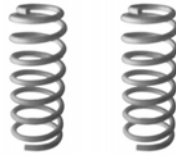



MAKE: HYUNDAI	HYU-51	HYU-52
TYPE: Terracan / Santa Fe		
	MODEL: Terracan (3.5L V6, 2.9L) YEAR: 2001 on	MODEL: Santa Fe (2.7L V6, 2.4L, 2.0L TD) YEAR: 2000 on

 FRONT 	TYPE	QTY	PART NUMBER
Terracan			
SHOCK ABSORBER  Type 'A' 'B' 'C' Heavy Duty Gas	B	2	GS45-087

 REAR 	TYPE	QTY	PART NUMBER
Terracan			
COIL SPRING Type 'C'  Linear Rate Standard Height (10mm Lift)		2	C25-003 (Pair)
Linear Rate Raised Height (35mm Lift) Medium Load to GVM		2	C25-007 (Pair)
SHOCK ABSORBER  Type 'A' 'B' 'C' Heavy Duty Gas	B	2	GS59-223

 FRONT 	TYPE	QTY	PART NUMBER
Santa Fe			
COIL SPRING Type 'C'  Linear Rate Standard Height		2	C25-026 (Pair)
Linear Rate Raised Height (20mm Lift)		2	C25-028 (Pair)
SHOCK ABSORBER  Type 'A' 'B' 'C' Heavy Duty Gas		2	Under Development

 REAR 	TYPE	QTY	PART NUMBER
Santa Fe			
COIL SPRING Type 'C'  Linear Rate Standard Height		2	C25-027 (Pair)
Linear Rate Raised Height (35mm Lift)		2	C25-029 (Pair)
SHOCK ABSORBER  Type 'A' 'B' 'C' Heavy Duty Gas	B	2	GS59-940