

MAKE: SUZUKI **TYPE:** Sierra
MODEL: SJ, LJ410/413 **YEAR:** 1981 on
DETAIL: Santana, Samurai, Rhino, Jimny
NOTE: Different U-Bolts on 410 Model **SUZ-51**



FRONT		TYPE	QTY	PART NUMBER
<p>LEAF SPRING Type 'A'</p> <p>Petrol 5 Leaves - Raised Height (40mm Lift with No Accessories) Diesel 6 Leaves - Raised Height (40mm Lift with No Accessories)</p>		A	2	SUZ-5L-F
<p>Petrol 5 Leaves - Raised Height (40mm Lift with No Accessories) Diesel 6 Leaves - Raised Height (40mm Lift with No Accessories)</p>		A	2	SUZ-6L-F
<p>SHACKLE BUSH KIT Rubber Polyurethane Metal</p> <p>Kit Contains: 2 x SPF176 8 x SPF173</p>		B	1	PB57-1034K
<p>U-BOLT KIT</p> <p>Kit Contains:</p> <p>SJ410 Right Hand Side 2 x UB57-655 Left Hand Side 2 x UB29-900</p> <p>SJ413, SJ50, SJ51 (1985 - 1996) Right Hand Side 2 x UB57-654 Left Hand Side 2 x UB57-655</p>		A	1	UB57-655K
<p>Right Hand Side 2 x UB57-655 Left Hand Side 2 x UB29-900</p>		A	1	UB29-900K
<p>Right Hand Side 2 x UB57-654 Left Hand Side 2 x UB57-655</p>		A	1	UB57-654K
<p>Left Hand Side 2 x UB57-655</p>		A	1	UB57-655K
<p>SHOCK ABSORBER</p> <p>Heavy Duty Gas</p>		B	2	GS57-085
<p>STEERING DAMPER Type 'A'</p> <p>SJ413 Only Heavy Duty (07/88 on) Complete with Fittings</p>		A	1	SD57-030
<p>SHACKLE KIT</p> <p>Fit in Pairs</p>		A	2	SK57-041
<p>PIN KIT</p> <p>Fit in Pairs</p>		B	2	SP57-042

REAR		TYPE	QTY	PART NUMBER
<p>LEAF SPRING Type 'B'</p> <p>4 + 1 Leaves Raised Height (40mm Lift) No Accessories</p>		B	1	SUZ-4+1-R RH
<p>4 + 1 Leaves Raised Height (40mm Lift) No Accessories</p>		B	1	SUZ-4+1-R LH
<p>SHACKLE BUSH KIT Rubber Polyurethane Metal</p> <p>Kit Contains: 2 x SPF176 8 x SPF173</p>		B	1	PB57-1034K
<p>U-BOLT KIT</p> <p>Kit Contains:</p> <p>SJ410, SJ413, SJ50, SJ51 2 x UB57-655</p>		A	2	UB57-655K
<p>SHOCK ABSORBER</p> <p>Heavy Duty Gas</p>		A	2	GS57-086
<p>SHACKLE KIT</p> <p>Fit in Pairs</p>		A	2	SK57-041
<p>PIN KIT</p> <p>Fit in Pairs</p>		B	2	SP57-042

MAKE: SUZUKI

TYPE: Sierra

MODEL: SJ80

YEAR: 1995 – 11/1998

DETAIL: Coil Spring Suspension



SUZ-54

	FRONT		TYPE	QTY	PART NUMBER		
<p>COIL SPRING Type 'C'</p>						<p>Linear Rate Raised Height (30mm Lift)</p>	<p>2 C57-024 (Pair)</p>
<p>UNDER BODY BUSH KIT</p>			<p>Polyurethane Bush</p>			<p>NOTE: See Rear Under Body Bush Kit</p>	

	REAR		TYPE	QTY	PART NUMBER		
<p>COIL SPRING Type 'C'</p>						<p>Linear Rate Raised Height (30mm Lift)</p>	<p>2 C57-025 (Pair)</p>
<p>UNDER BODY BUSH KIT</p>			<p>Polyurethane Bush</p>			<p>NOTE: Kit Contains Front & Rear Under Body Bushes</p>	
				<p>4 x Front & Rear Panhard Rod Bush 4 x Front & Rear Radius Arm to Chassis Mount 4 x Front & Rear Radius Arm to Diff Mount</p>	<p>- 1 PB57-1253K</p>		

MAKE: SUZUKI

TYPE: Jimny

MODEL: SN413
FJB33V

YEAR: 1998 on

DETAIL: 3 Door 1.3L Hard/Soft Top
1.5L TDi

SUZ-55



FRONT		TYPE	QTY	PART NUMBER
<p>COIL SPRING Type 'C'</p>				
<p>G13BB 1.3L Engine</p> <p>Linear Rate Raised Height (30mm Lift) Up to 35Kg Accessories</p>				
			2	C57-028 (Pairs)
<p>Linear Rate Raised Height (40mm Lift) 35-85Kg Accessories Fit Longer Travel Shock Absorber GS57-617 with this Spring</p>				
			2	C57-046 (Pairs)
<p>M13A 1.3L Petrol</p> <p>Linear Rate Raised Height (40mm Lift) Fit Longer Travel Shock Absorber GS57-617 with this Spring</p>				
			2	C57-046 (Pairs)
<p>K9K 1.5L Turbo Diesel</p> <p>Linear Rate Raised Height (40mm Lift) Fit Longer Travel Shock Absorber GS57-617 with this Spring</p>				
			2	C57-048 (Pairs)
<p>SHOCK ABSORBER</p> <p>Type 'A' 'B' 'C'</p> <p>Heavy Duty Gas To be used with Original Suzuki Springs or C57-028</p>				
B			2	GS57-615
<p>Long Travel Heavy Duty Gas Can <u>Only</u> be used with C57-046 Or With C57-048</p>				
B			2	GS57-617

REAR		TYPE	QTY	PART NUMBER
<p>COIL SPRING Type 'C'</p>				
<p>Linear Rate Raised Height (30mm Lift)</p>				
			2	C57-029 (Pairs)
<p>Linear Rate Raised Height (40mm Lift) Fit Longer Travel Shock Absorber GS57-618 with this Spring</p>				
			2	C57-053 (Pairs)
<p>SHOCK ABSORBER</p> <p>Type 'A' 'B' 'C'</p> <p>Heavy Duty Gas To be used with Original Suzuki Springs or C57-029</p>				
A			2	GS57-616
<p>Long Travel Heavy Duty Gas Can <u>only</u> be used with C57-053</p>				
A			2	GS57-618

MAKE: SUZUKI

TYPE: Vitara

MODEL: 1.6L, 2.0L
2.0L V6/TD

YEAR: 1988 – 1997

DETAIL: 3 Doors, S.W.B. Santana, Sidekick,
Escudo, Geo Tracker **SUZ-53**



FRONT		TYPE	QTY	PART NUMBER
COIL SPRING Type 'C' 				
1.6L 8 Valve Engine Linear Rate Raised Height (40mm Lift)			2	C57-012 (Pair)
2.0L, 1.6L 16 Valve Engine 2.0L V6 Petrol Linear Rate Raised Height (40mm Lift)			2	C57-016 (Pair)
2.0L TD Linear Rate Raised Height			2	C57-016 (Pair)
SHOCK ABSORBER 				
Type 'A' 'B' 'F' Heavy Duty Gas Strut		F	2	GS57-620
UNDER BODY BUSH KIT Polyurethane Bush				
NOTE: See Rear Under Body Bush Kit				

REAR		TYPE	QTY	PART NUMBER
COIL SPRING Type 'C' 				
Linear Rate Raised Height (30mm Lift)			2	C57-013 (Pair)
SHOCK ABSORBER 				
Type 'A' 'B' 'C' Heavy Duty Gas		B	2	GS57-621
UNDER BODY BUSH KIT Polyurethane Bush				
NOTE: Kit Contains Front & Rear Under Body Bushes Front Lower Control Arm: 2 x Front Bush 2 x Rear Bush				
Rear Control Arm: 2 x Upper Bush 4 x Lower Bush		-	1	PB57-1252K

MAKE: SUZUKI **TYPE:** Vitara
MODEL: 1.6L, 2.0L **YEAR:** 1991 – 1998
 2.0/2.5L V6, 2.0L TD/Di
DETAIL: 5 Doors L.W.B.
 Escudo, Sidekick



SUZ-52

FRONT		TYPE	QTY	PART NUMBER
<p>COIL SPRING Type 'C'</p>				
<p>1.6L 8 Valve Engine</p> <p>Linear Rate Raised Height (30mm Lift) Up to 35Kg Accessories</p>			2	C57-012 (Pair)
<p>1.6L 16 Valve Engine</p> <p>Linear Rate Raised Height (30mm Lift)</p>			2	C57-016 (Pair)
<p>Linear Rate Raised Height (30mm Lift) 40-80Kg Accessories</p>			2	C57-018 (Pair)
<p>2.0L 4 Cyl, 2.0L V6</p> <p>Linear Rate Raised Height (30mm Lift) Up to 40Kg Accessories</p>			2	C57-018 (Pair)
<p>Linear Rate Raised Height (25mm Lift) 40-80Kg Accessories</p>			2	C57-034 (Pair)
<p>2.0L TD/Tdi, 2.5L V6</p> <p>Linear Rate Raised Height (35mm Lift)</p>			2	C57-034 (Pair)
<p>SHOCK ABSORBER</p> <p>Type 'A' 'B' 'F'</p>				
<p>Heavy Duty Gas Strut</p>		F	2	GS57-620
<p>UNDER BODY BUSH KIT</p> <p>Polyurethane Bush</p>				
<p>NOTE: See Rear Under Body Bush Kit</p>				

REAR		TYPE	QTY	PART NUMBER
<p>COIL SPRING Type 'C'</p>				
<p>Linear Rate Raised Height (30mm Lift) Light Load to GVM</p>			2	C57-017 (Pair)
<p>Linear Rate Raised Height (35mm Lift) Medium Load to GVM</p>			2	C57-047 (Pair)
<p>SHOCK ABSORBER</p> <p>Type 'A' 'B' 'C'</p>				
<p>Heavy Duty Gas</p>		B	2	GS57-621
<p>UNDER BODY BUSH KIT</p> <p>Polyurethane Bush</p>				
<p>NOTE: Kit Contains Front & Rear Under Body Bushes</p>				
<p>Front Lower Control Arm: 2 x Front Bush 2 x Rear Bush</p>		B	1	PB57-1252K
<p>Rear Control Arm: 2 x Upper Bush 4 x Lower Bush</p>				

MAKE: SUZUKI

TYPE: Grand Vitara
Escudo

MODEL: SQ420W 3 & 5 Door 4 Cyl.
SQ625W 5 Door 2.5L V6
SQ416 3 Door 06/00 on

YEAR: 1998 on



DETAIL: SWB 1.6L / 2.0L 4 Cyl., 2.0L TDi
LWB 2.5 L V6, 2.0L 4 Cyl., 2.0L TDi

SUZ-57

FRONT		TYPE	QTY	PART NUMBER
<p>COIL SPRING Type 'C'</p>				
<p>SWB 3 Door 1.6L Petrol</p> <p>Linear Rate Raised Height (30mm lift)</p>			2	C57-018 (Pair)
<p>SWB 3 Door 2.0L Petrol</p> <p>Linear Rate Heavy Duty Raised Height (30mm Lift) Up to 35Kg Accessories</p>			2	C57-034 (Pair)
<p>LWB 5 Door 2.0L Petrol LWB 5 Door 2.5L V6 Petrol</p> <p>Linear Rate Heavy Duty Raised Height (30mm Lift) Up to 35Kg Accessories</p>			2	C57-034 (Pair)
<p>Linear Rate Raised Height (30mm Lift) 35-80Kg Accessories</p>			2	C57-042 (Pair)
<p>SWB & LWB 2.0L TD</p> <p>Linear Rate Raised Height (30mm Lift)</p>			2	C57-042 (Pair)
<p>SHOCK ABSORBER</p> <p>Type 'A' 'B' 'F'</p>				
<p>Heavy Duty Gas Strut</p>		F	2	GS57-620

REAR		TYPE	QTY	PART NUMBER
<p>COIL SPRING Type 'C'</p>				
<p>SWB & LWB</p> <p>Linear Rate Raised Height (30mm Lift) Heavy Duty</p>			2	C57-027 (Pair)
<p>Linear Rate Heavy Duty Raised Height (35mm Lift) 35 – 65 Kg to GVM</p>			2	C57-045 (Pair)
<p>SHOCK ABSORBER</p> <p>Type 'A' 'B' 'C'</p>				
<p>Heavy Duty Gas</p>		B	2	GS57-621

MAKE: SUZUKI

TYPE: Grand Vitara XL7

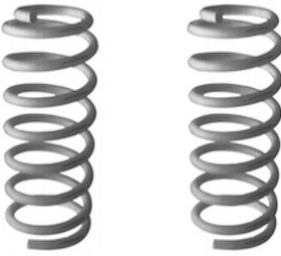

MODEL: JA627

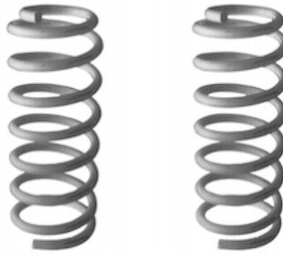

YEAR: 10/01 on

DETAIL: 7 Seater 2.7L V6 H27A
2.0L Turbo Diesel

SUZ-56



FRONT		TYPE	QTY	PART NUMBER
COIL SPRING Type 'C' 				
V6 2.7L & 2.0L Turbo Diesel				
	Linear Rate Standard Height	2		C57-034 (Pair)
	Linear Rate Raised Height (45mm Lift) Up to 50Kg Accessories	2		C57-036 (Pair)
SHOCK ABSORBER 				
	Type 'A' 'B' 'F'			
	Heavy Duty Gas Strut	F	2	GS57-620

REAR		TYPE	QTY	PART NUMBER
COIL SPRING Type 'C' 				
	Linear Rate Standard Height	2		C57-033 (Pair)
	Linear Rate Raised Height (40mm Lift) Light Load to GVM	2		C57-039 (Pair)
SHOCK ABSORBER 				
	Type 'A' 'B' 'C'			
	Heavy Duty Gas	B	2	GS57-621

