

MAKE: DAIHATSU

TYPE: Rocky





MODEL: F73, F78, F85,
F98; SE/SX



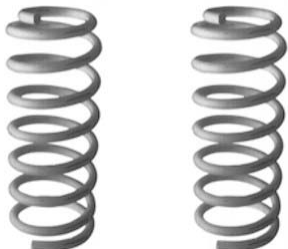

YEAR: 1993 – 2002

DETAIL: 2.8 L TD



DAI-56

 FRONT 		TYPE	QTY	PART NUMBER
<p>TORSION BAR</p>  <p>Type 'D'</p> <p>Heavy Duty Rate Increased Length 950mm</p>		D	1	TB15-198 (Pair)
<p>SHOCK ABSORBER</p>  <p>Type 'A' 'B' 'C'</p> <p>Heavy Duty Gas</p>		B	2	GS15-463W

 REAR 		TYPE	QTY	PART NUMBER
<p>COIL SPRING Type 'C'</p>  <p>Linear Rate Raised Height (40mm Lift)</p>			1	C21-059 (Pair)
<p>SHOCK ABSORBER</p>  <p>Type 'A' 'B' 'C'</p> <p>Heavy Duty Gas</p>		B	2	GS59-940S