

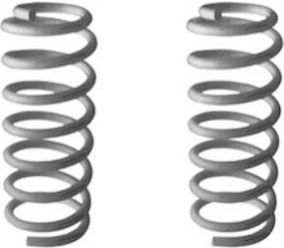





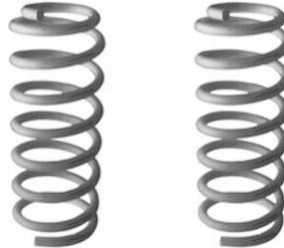

**MAKE:** MERCEDES **TYPE:** G-Class

**MODEL:** G230, G300 **YEAR:** 1982 – 2001

**DETAIL:** G230 - 2.3L & 2.8L Petrol  
G300 - 3.0L Turbo Diesel **MER-49**



 <b>FRONT</b> 		<b>TYPE</b>	<b>QTY</b>	<b>PART NUMBER</b>
<p><b>COIL SPRING</b> Type 'C'</p>  <p>Linear Rate Raised Height (45mm Lift)</p>			2	<b>C41-042</b> (pair)
<p><b>SHOCK ABSORBER</b></p>  <p>Type 'A' 'B' 'C'</p> <p>Heavy Duty Gas</p>		C	2	<b>GS45-125B</b>

 <b>REAR</b> 		<b>TYPE</b>	<b>QTY</b>	<b>PART NUMBER</b>
<p><b>COIL SPRING</b> Type 'C'</p>  <p>Variable Rate Raised Height (45mm Lift)</p>			2	<b>C43-045VE</b> (pair)
<p><b>SHOCK ABSORBER</b></p>  <p>Type 'A' 'B' 'C'</p> <p>Heavy Duty Gas</p>		B	2	<b>GS43-784D</b>